

A ⊕

9-1/4" (235 mm)

⊕ **B**

POSITION CARD

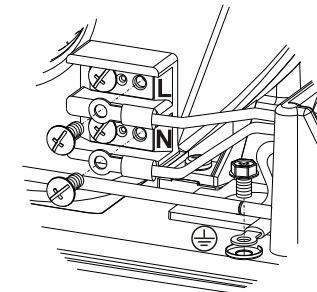
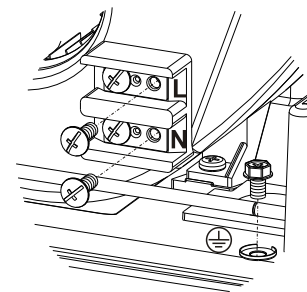
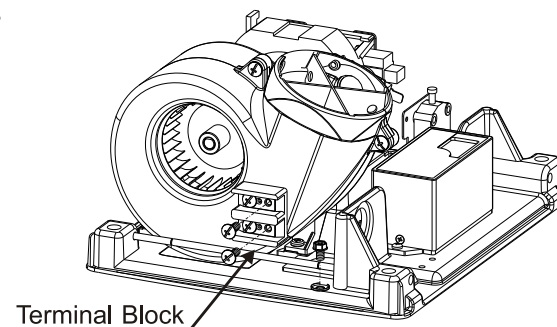
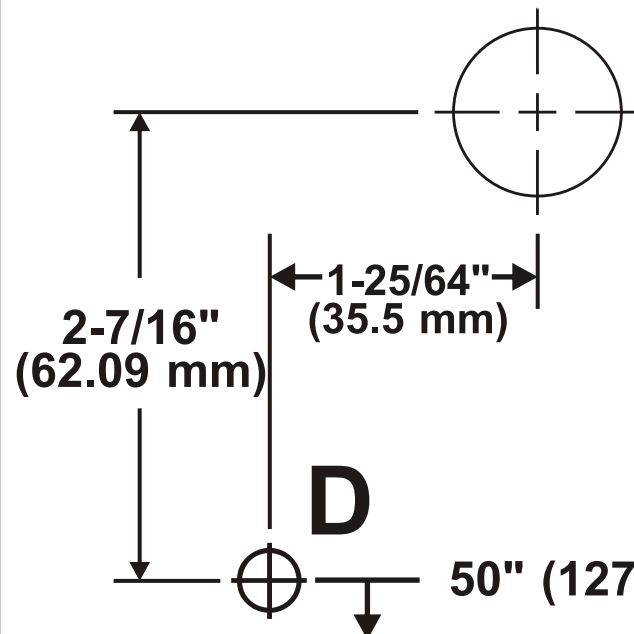
Fix this card to the wall**Drill 4 holes****(A. B. C. D. 3" (8 mm) diameter: 1-3/8" (35 mm) depth.)****FASTDRY****Mounting heights from bottom of dryer**

Men's	50"	127cm
Ladies	46"	117cm
Children, ages 14-17	44"	112cm
Children, ages 11-13	44"	112cm
Children, ages 8-10	40"	102cm
Children, ages 3-7	36"	91cm
Handicapped	37"	94cm

Electrical Connection

1. Secure the base plate on the wall.
2. Use only 1/2 inch trade conduit.
3. Connections:
 - A. Connect the red (or brown) live wire to the terminal block marked "L".
 - B. Connect the black (or blue) neutral wire to the terminal block marked "N".
 - C. Connect the green and yellow (or green, note bare earth wires should be sleeved with green and yellow or green sleeving) earth wire colored to the ground washer marked with the earth symbol. ⊕

7-3/4" (197 mm)



50" (127cm) from floor. (See mounting chart above.)

⊕ **C**